

PRO SERIES

Model ST-1250



Feeder/Dispenser

OVERVIEW

The ST-1250 is our most popular and versatile model. With our intelligent system controller incorporated into its stainless steel enclosure, the ST-1250 gives you the flexibility of using it in stand-alone applications as well as integrating into other systems. The ST-1250 is capable of handling a wide variety of products, from single sheets to thick magazines.

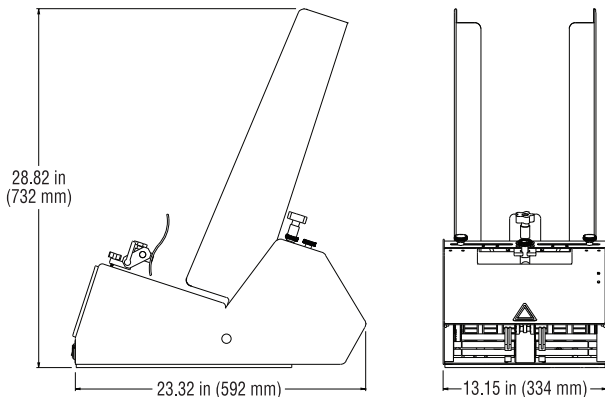
APPLICATIONS

- Collating
- Batch Counting
- Accumulating
- Automatic Wrapping
- Tip-On / Affixing
- Kit Fulfillment
- Package Inserting

TECHNICAL DATA

Maximum Product Size: 12 W x 14 L in (298.45 x 355.6 mm)
Minimum Product Size: 3.75 W x 3.75 L in (95.25 x 95.25 mm)
 Optional: 2 W x 2.5 L in (50.8 x 63.5 mm)
Min/Max Product Thickness:003-1.0 in (.0762-25.4 mm)
Belt Speed: 5500 in/min (140,000 mm/min)
Hopper Capacity: 24 in (609.6 mm)
Electrical Requirements: 115/230vac, 6A
Weight: 89 lbs. (40.367kg)
Warranty: One-year limited

DIMENSIONS



FEATURES

ADVANTAGES

BENEFITS

Minimum Adjustment Points	Three adjustment points for product change-over. Single knob adjustments.	Faster make-ready gets more jobs out the door. Skilled operators not needed for change-over.
Easy Remove Carriage	Carriage can be removed quickly and easily for belt changes.	Reduces down time for preventative maintenance.
Optional Vacuum Assist	Helps keep coated stock from slipping.	No struggling with coated or slick stocks.
Thick Product Capability	Feed product from .003" to 1.0".	More jobs can be run on the same machine.
I-Quipped Keypad/Display Control Interface	Ease of set up, operation, and monitoring of feeder.	Makes operator more productive in set up and operation of feeder.



We Have Your Solution.™